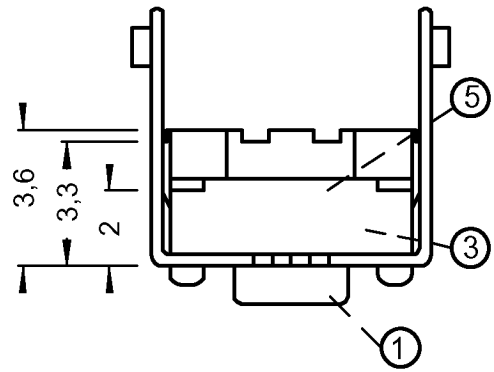
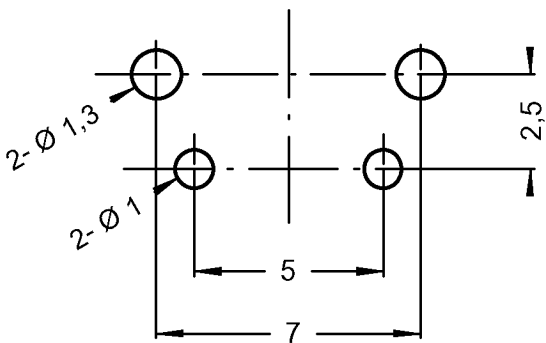


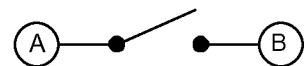
P.C.B. LAYOUT



Specifications:

- Contact rating: 50mA, 12V DC
- Contact resistance: 500mOhm max.
- Insulation resistance: 100MOhm min. at 100DC for 1 minute
- Dielectric strength: 250V AC for 1 minute (50/60Hz, 2mA)
- Operating temperature: -20°C to +70°C
- Electrical life: min. 50 000 cycles
- Operating force: 160 +/-50gf
- Mounting: on pc-board
- Soldering conditions: 260 +/-5°C, 5 +/-1sec.
- Material: Terminal: C2680R-EH, Ag
Frame: SPCC, Sn
Contact plate: SUS, Ag
Case: PA, white
Stem: PA, black

CIRCUIT DIAGRAM



Tolerances: up to 10: ±0.2mm above 10-50: ±0.3mm	Date	Name
	11/03	tm/hs

TS 637 RA

knitter-switch			Page
Revised	05/11	dr	
Modifications	Date	Name	

30 02 66